

SUB

GENERAL

SUB
 Article number: 10401100
 Category: spot
 Light source: LED
 Color changing: no
 Warranty: 5 years

DIMENSIONS

Length: -
 Width: -
 Height: 43 mm / 1.69"
 Diameter: 81 mm / 3.19"
 Total height: 136 mm / 5.35"
 Recess depth: -

ELECTRONICS

Voltage: 12V AC
 Output: 3.00 Watt
 VA: 5.60
 Power factor: 0.54
 Light source: 3x SMD-LED 1W
 Lifetime: 25000 hours
 Energy label: A+
 Dimmable: no
 Length of cable lead: 39,37"/1000 mm

LIGHT SPECIFICATIONS

Color temperature: 3100 K
 CRI (RA): 91
 Luminous intensity: 465.70 Cd
 Light beam 0-180: 35°
 Light beam 90-270: 35°
 Net luminous flux: 197 lumen
 Luminous efficiency: 66 lumenwatt

MATERIAL

Ring Plate: -
 Lens: glass
 Exterior: aluminum
 Easy Lock included: yes
 Installation hardware included: yes

AVAILABLE PRODUCT COLORS

-

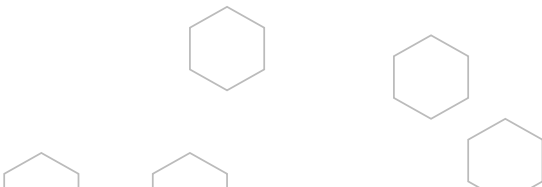
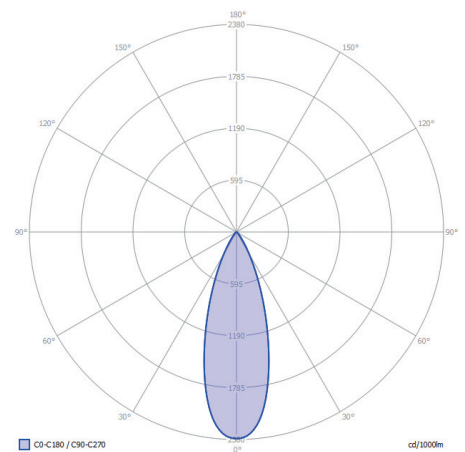
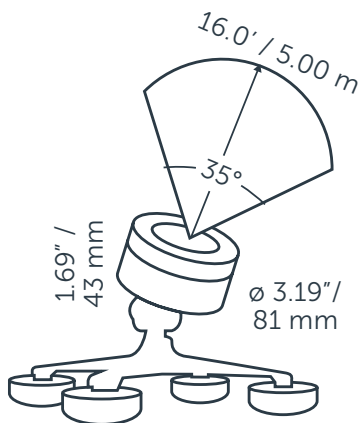
AVAILABLE ACCESSORIES

SCOPE BASE PLATE

PROTECTION RATING

IP : 68

Distance		Light circle 0-180°		Light circle 90-270°		Illuminance [lux]
[m]	[ft]	[m]	[ft]	[m]	[ft]	
1.50	4.90	0.90	3.10	0.90	3.10	207.00
3.00	9.80	1.90	6.20	1.90	6.20	51.70
4.50	14.80	2.80	9.30	2.80	9.30	23.00
6.00	19.70	3.80	12.40	3.80	12.40	12.90
7.50	24.60	4.70	15.50	4.70	15.50	8.30
9.00	29.50	5.70	18.60	5.70	18.60	5.70
0.30	1.00	0.20	0.60	0.20	0.60	5039.2



in-lite®

12 volt

